

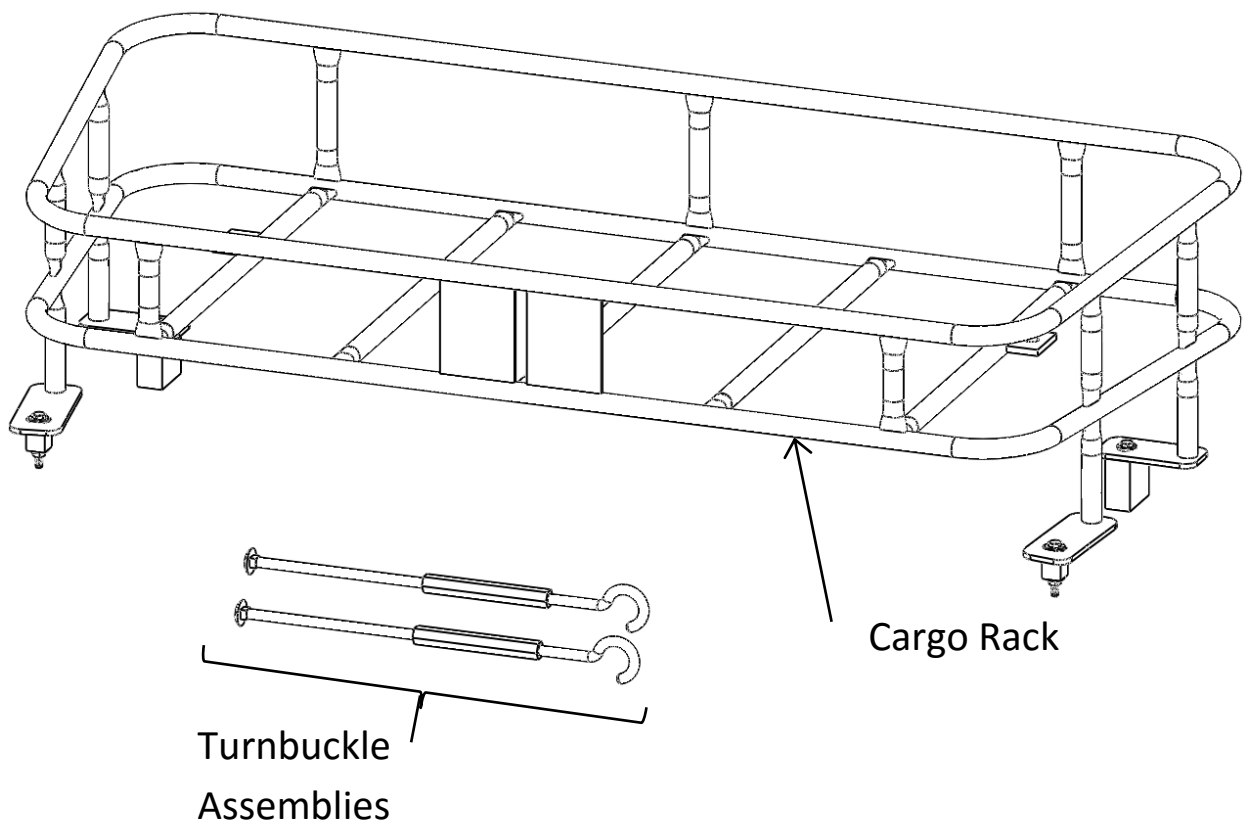
Yamaha Wovlerine Y700 Hornet

Cargo Rack

Installation Kit



-The Hornet Cargo Rack Installation Kit fits all Yamaha Hornet models from 2015 on. The Kit comes with a Cargo Rack and attached mounting feet, and 2x Turnbuckle Assemblies.



Installation:

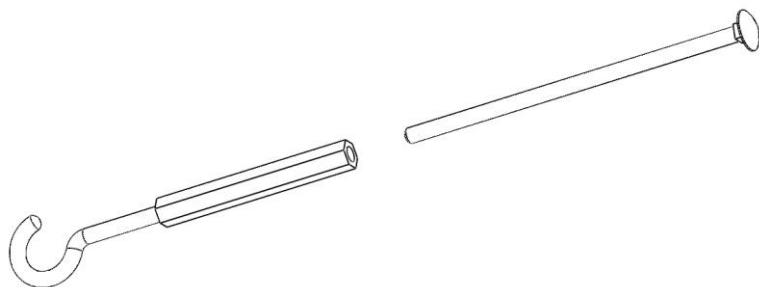
Step 1:



Install the Cargo Rack by locating the rubber feet into the slots of the bed as shown

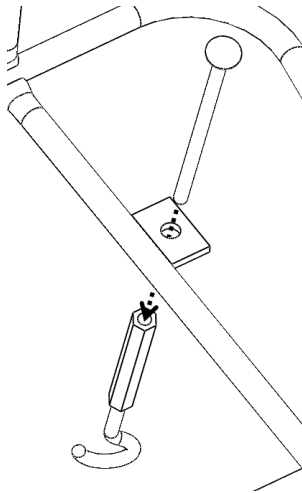
Step 2:

Remove each 9in Bolt from the Turnbuckle Assemblies.



Step 3:

Attach the Hook from to the Bed Tie-Down and insert the 9in Bolt down through the hole in the Cargo Rack and into the Turnbuckle. Do this for both sides.



Step 4:

Tighten the 9in Bolt into the Turnbuckle until it is hand tight. Once the Bolt is hand tight, use a wrench to tighten an additional half turn.

